



## SPECIFICATIONS

**RATING** : 2A/36VDC  
**ELECTRICAL LIFE**: 200,000 make-and-break cycles at full load.  
**MECHANICAL LIFE**: 1,000,000. Cycles  
**DIELECTRIC STRENGTH**: 2,000V RMS@sea level  
**CONTACT RESISTANCE**: 50mΩ MAX. @1A 12VDC(initial value)  
**OPERATING TEMPERATURE**: -20°C to 70°C  
**TRAVEL**: ABOUT 1.8±0.2mm  
**OPERATION PRESSURE**: 4.5±1.5N  
**INGRESS PROTECTION**: IP67,IK10(Stainless)  
**TORQUE**: 1~3Nm  
 Current limiting resistor is required to limit led forward current to 20mA

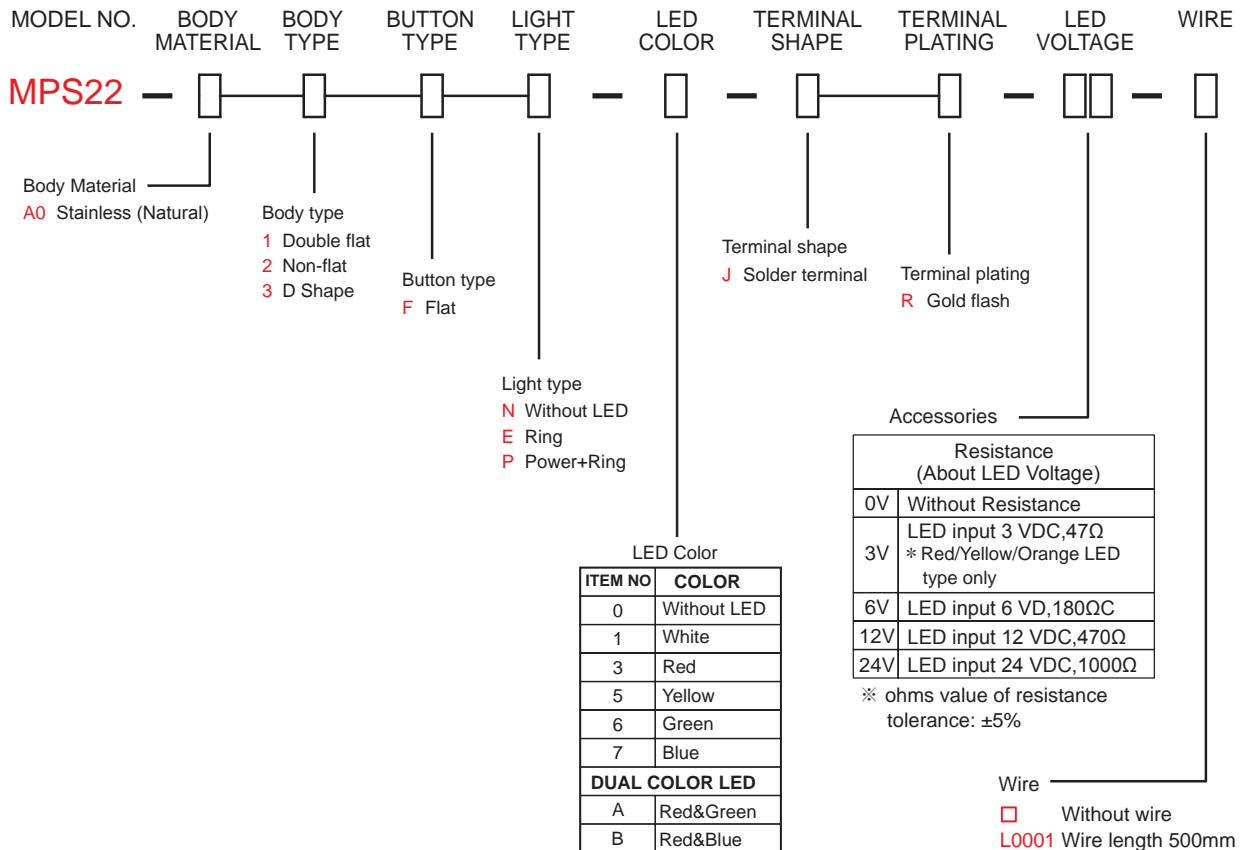
## MATERIALS

**BUSHING** : Stainless Steel  
**BASE** : PA66,White UL-94V0  
**ACTUATOR** : PC,Translucent UL-94V2  
 Stainless Steel  
**INNER ASSEMBLY** : PC,Transparent UL-94V2  
**SPRING** : Spring steel  
**SEALING** : Silicone,Translucent  
**O-Ring** : Silicone,Black  
**TERMINAL** : Brass ,Gold flash plated  
**CONTACT** : Brass,Sliver alloy  
**HEX NUT** : Brass,Nickel plated

MPS22 Pushbutton Switches



## HOW TO ORDER

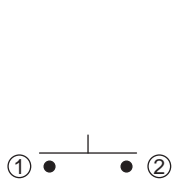


EXAMPLE:  
 MPS22-A01FN-0-JR-0V (Without LED)  
 MPS22-A01FE- [ ] -JR- [ ] V  
 LED color LED voltage

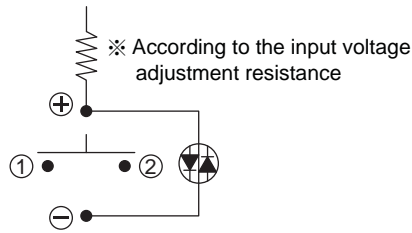
# MPS22 Series

22mm Short Metal Pushbutton Switches

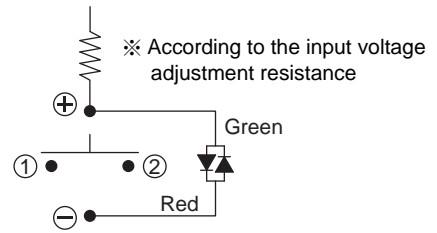
## CIRCUIT



Without Led



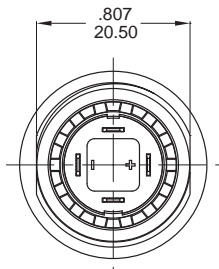
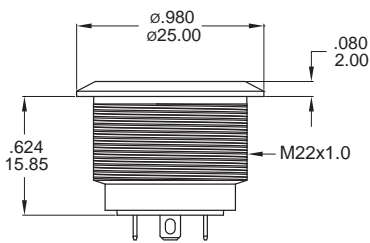
Single Color Led



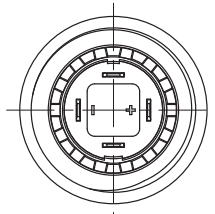
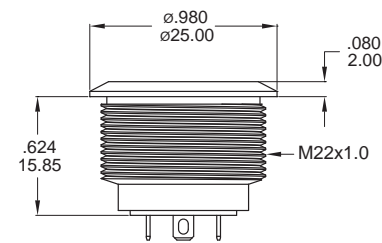
Dual Color Led

## BODY TYPE

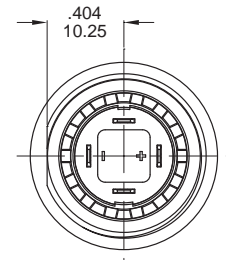
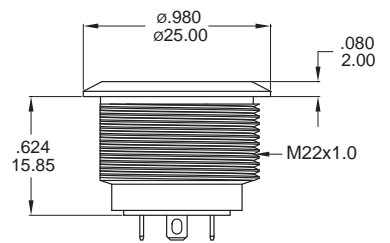
Double flat



Non-flat

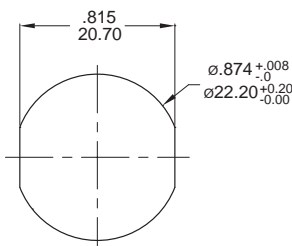


D Shape

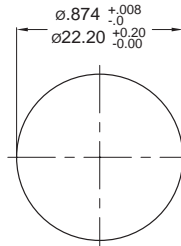


### PANEL CUTOUT

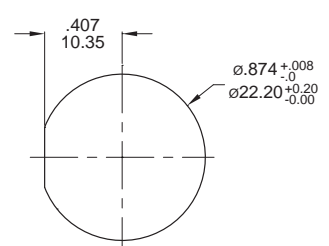
Thickness: 6.0mm(Max.)



Double flat



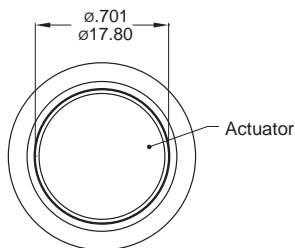
Non-flat



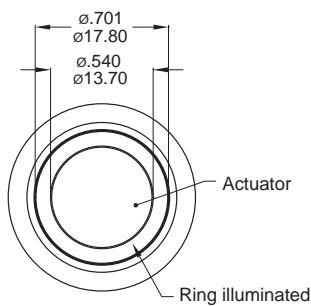
D Shape

## LIGHT TYPE

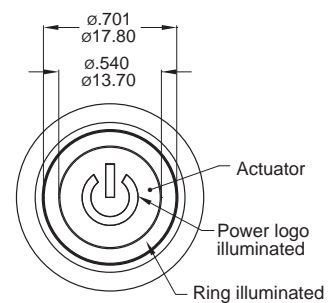
N Without LED



E Ring

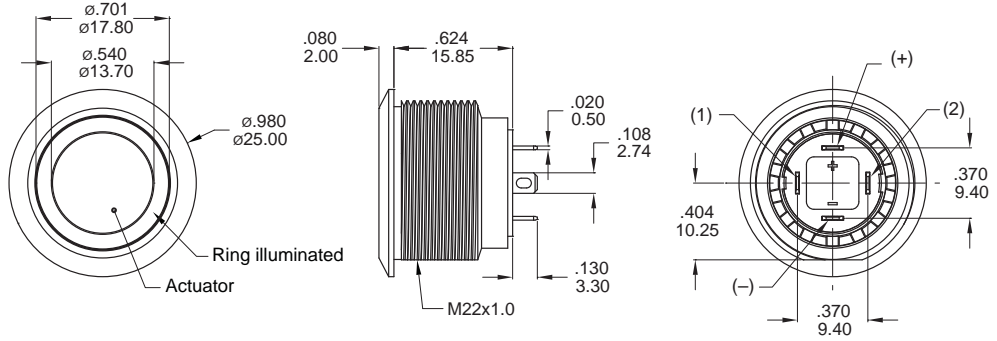


P Power+Ring



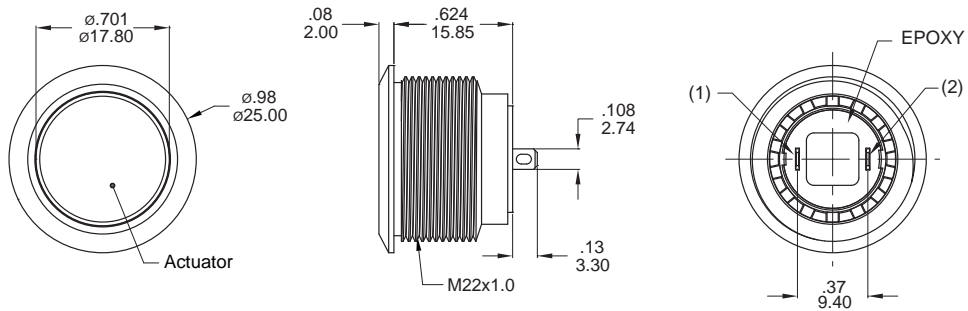
## LIGHT TYPE

### E Ring



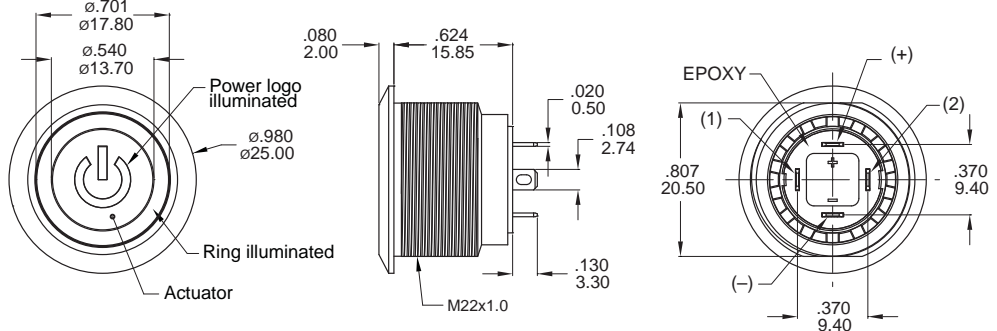
Part No. Shown : MPS22-A03FE-□-JR-□V

### N Without LED



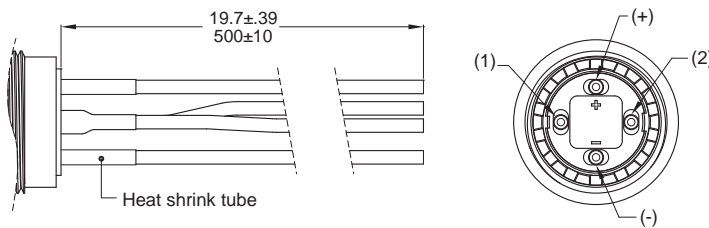
Part No. Shown : MPS22-A02FN-0-JR-0V

### P Power+Ring



Part No. Shown : MPS22-A01FP-□-JR-□V

### L0001 ※Wire=Multi-wire lead AWG20,section 0.6mm<sup>2</sup>,UL approved

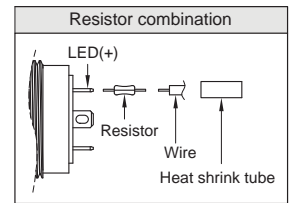


#### Non-LED

Description	Wire color
Terminal 1	Black
Terminal 2	Black

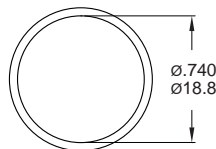
#### With LED

Description	Wire color
Terminal 1	Black
Terminal 2	Black
LED+	Red
LED-	Green

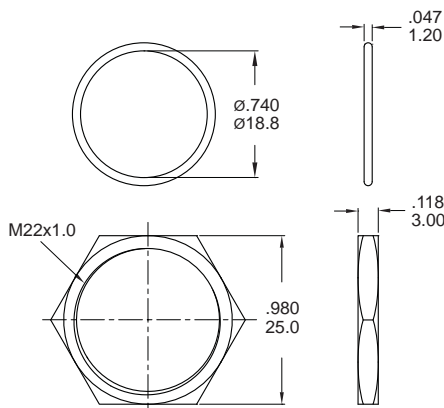


### ADDITIONAL

O-RING  
No.:CP-MPB07



M22 NUT  
No.:NU-MPB02



### O-RING INSTALLATION

